

Kaycee for Commitment...
Kaycee for Quality...



KAYCEE
Brand that set the standards

RANGE OF ROTARY TOGGLE SWITCHES [WEATHER TIGHT]



TWIN TOGGLE SWITCHES WITH PLUG AND SOCKET



TYPE : RT 1000 B/PS/S-N

KAYCEE Rotary Toggle Switches with Plug and Socket, incorporate a switch with mechanism protected in a metallic housing, suitable for outdoor installation as they are weather tight. The assembly is available with Plug and Socket with shutters. The plug consists of suitable rated fuse for over-loading protection. These switches are recommended for their Quick installation and use in all weather condition. Installation is by fixing two suitable screw. Easy wiring is through a conduit entry size M-25x2 mm. pitch tap.

ELECTRICAL DATA :

CONTINUES CURRENT ITH :

5A / 6A / 13A / 20A / 250AC

For make break at rated current & voltage

INSULATION VOLTATE :

500 VAC

OPERATIONAL VOLTAGE :

250VAC

HIGH VOLTAGE :

2.1 KV (R.M.S.)

AMBIENT TEMPERATURE :

45°C to 85°C

FREQUENCY OF OPERATION :

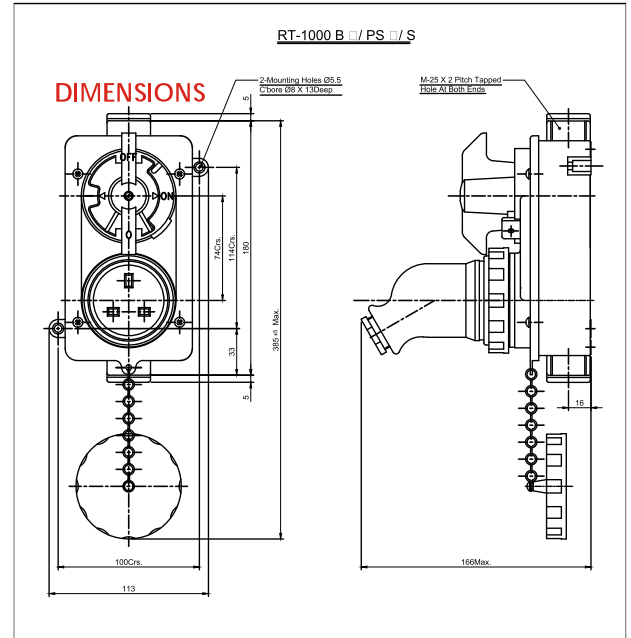
240 cycles / hours

MECHANICAL LIFE :

50,000 Operations

ELECTRICAL LIFE :

10,000 Operations



TWIN ROTARY TOGGLE SWITCHES



KAYCEE Twin Rotary Toggle Switches type 2 RT 1000 A-N incorporate two independent. Mechanisms protected in a metallic housing, suitable for outdoor installation as they are weather tight. These switches are recommended for their quick installation and use in all weather conditions. Installation is by fixing two suitable screws. Easy wiring is through a conduit entry size M-20x1.5 mm Pitches tap.

CIRCUITARY :

Two independent single pole switches with ON-OFF function.

NOMINAL RATING :

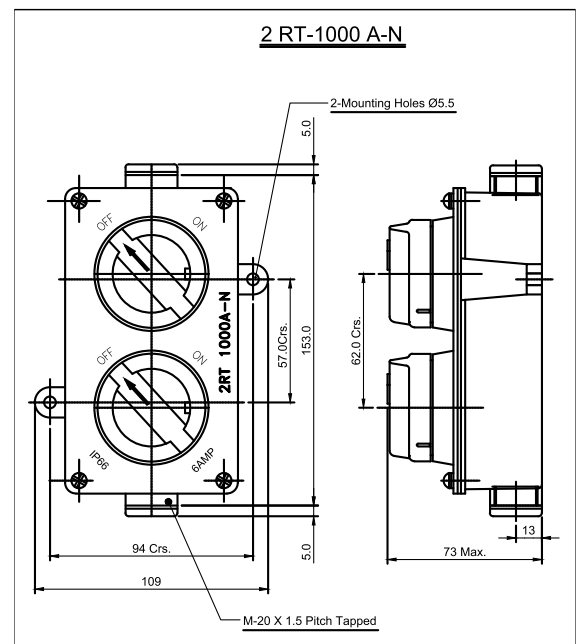
6A/250VAC

SPECIFICATIONS :

Switches comply with the relevant clauses of the following specifications :

IS / IEC 60947 (Part I, III & V)

Terminals Screw Terminals Operating Force Weight 488 gms. (approx)



ROTARY TOGGLE SWITCHES



TYPE RT 1000A-N



KAYCEE Rotary Toggle Switches type RT-1000A-N incorporates a switch protected in a metallic housing, suitable for outdoor installation as they are weather tight. These switches are recommended for their quick installation and use in all weather conditions. Installation is by fixing two suitable screws. Easy wiring is through a conduit entry size 20mm.

CIRCUITARY :

Single Pole ON-OFF

NOMINAL RATING :

6A / 250 V AC

SPECIFICATION :

Switches comply with the relevant clauses of the following specifications:

IS / IEC 60947

TEMPERATURE :

Operational range is from 45° to 85°c.

VOLTAGE PROOF :

Switches are tested to 2 KV AC between current carrying part and accessible metal parts.

TERMINALS :

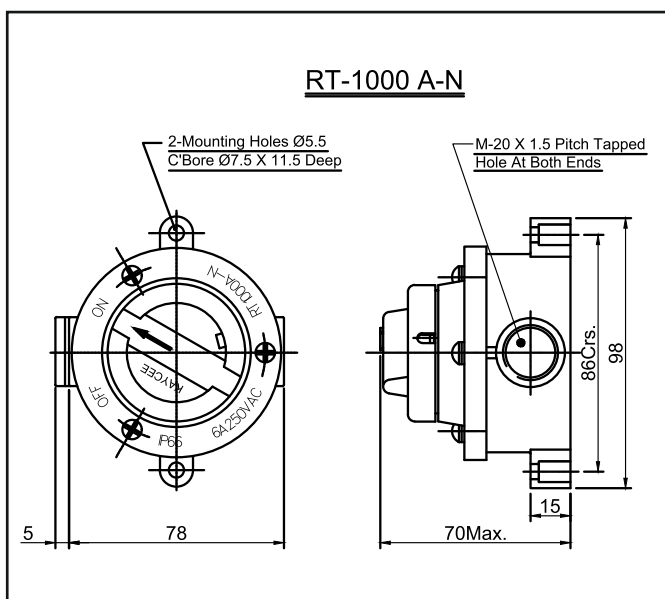
Screw Terminals.

OPERATING FORCE :

1200 gms. (approx)

WEIGHT :

215 gms. (approx)



TYPE 3 RT 1000A-N



TEMPERATURE :

Operational range is from 45° to 85°c.

VOLTAGE PROOF :

Switches are tested to 2 KV AC between current carrying part and accessible metal parts.

TERMINALS :

Screw Terminals.

OPERATING FORCE :

1200 gms. (approx)

WEIGHT :

550 gms. (approx)

KAYCEE Three Gang Rotary Toggle Switches type 3RT 1000A-N incorporates three independent switches protected in metallic housing, suitable for outdoor installation as they are weather tight. These switches are recommended for their quick installation and use in all weather conditions. Installation is by fixing two suitable screws. Easy wiring is through a conduit

CIRCUITARY :

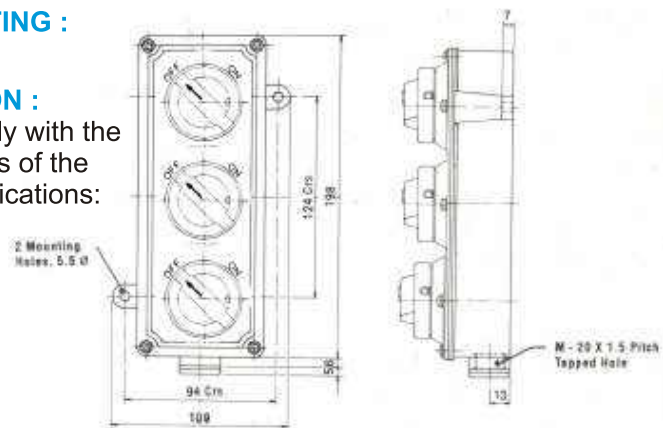
Three independent single pole switches ON-OFF function

NOMINAL RATING :

6A / 250 V AC

SPECIFICATION :

Switches comply with the relevant clauses of the following specifications: IS / IEC 60947



TYPE RT 1000D



KAYCEE Rotary Toggle Switches type RT-1000D incorporates a switch protected in a metallic housing, suitable for outdoor installation as they are weather tight. These switches are recommended for their quick installation and use in all weather conditions. Installation is by fixing two suitable screws. Easy wiring is through a conduit entry size 20mm.

CIRCUITARY :

Double Pole ON-OFF Function

NOMINAL RATING :

20A / 250 V AC

SPECIFICATION :

Switches comply with the relevant clauses of the following specifications: IS / JEC60947

TEMPERATURE :

Operational range is from 45° to 85°c.

VOLTAGE PROOF :

Switches are tested to 2 KV AC between current carrying part and accessible metal parts.

TERMINALS :

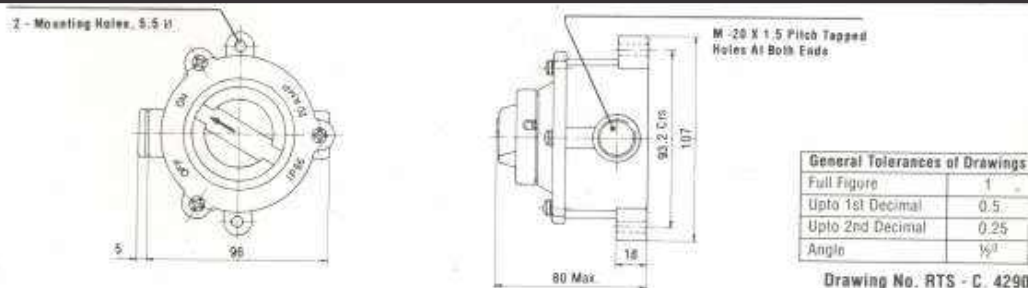
Screw Terminals.

OPERATING FORCE :

1800 gms. (approx)

WEIGHT :

290 gms. (approx)



Manufactured by :

KAYCEE INDUSTRIES LIMITED

32, Ramjibhai Kamani Road, Ballard Estate, Mumbai - 400 001

Tel.: 91-22-22613521 / 22 / 23 / 22616106

Email : sales@kayceeindustries.com

Website : www.kayceeindustries.com

