

Kaycee for Commitment...

Kaycee for Quality...



**KAYCEE**

Brand that set the standards

## **KAYCEE JUNIOR STROKE COUNTERS**



Kaycee Junior Stroke Counter is a small compact counter with five digits to assure accurate reading even in a limited space. Available as Stroke model with knob type reset & non reset to bring all figures back to zero. It is having die cast base and plastic cover for light weight. No maintenance is required since figure wheels and pinions are of special thermo plastic material.

**Specifications:**

No. of figures with reset : 5  
 Size of figure: 4mm  
 Speed: Up to 125 strokes per minute.  
 Gearing ratio: 1:1 i.e. One count for one stroke.  
 Overall size: 60 x 33 x 28 mm. Approx.

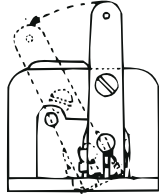
**Applications:**

Some of the typical applications include:

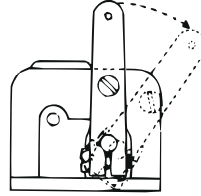
- 1) Office Machines  
 ( Duplicating machines )
- 2) Circuit breakers for counting the numbers of make and break operations.

- 3) Coil Winders
- 4) Hand Presses

**Direction of drive shaft:**



Top coming  
(Forward Stroke)



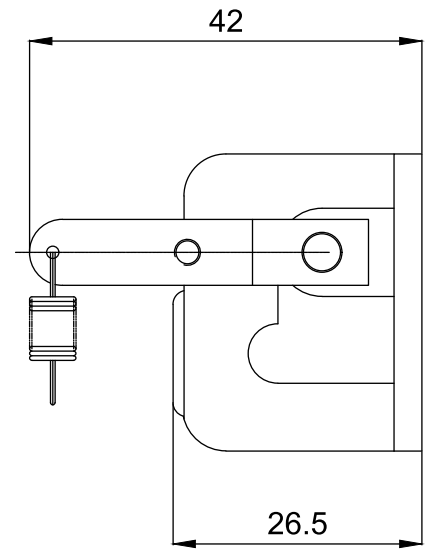
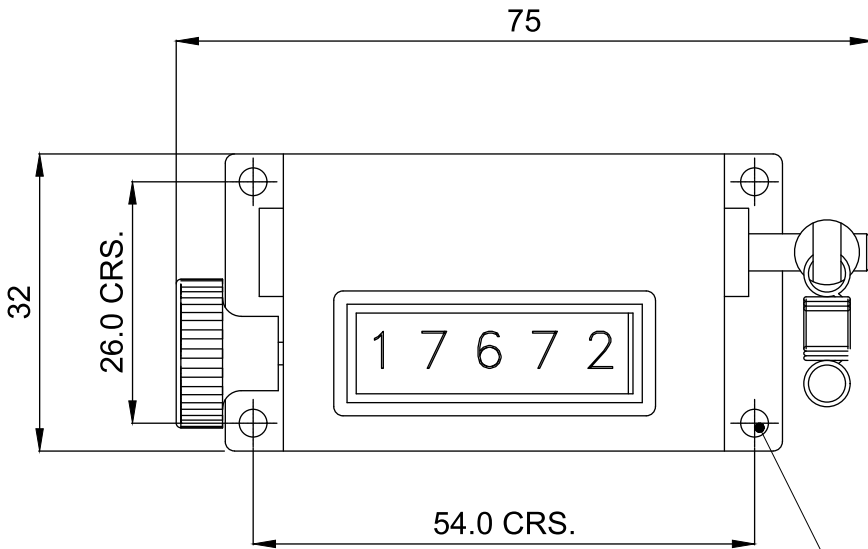
Top going  
(Backward Stroke)

What does your code say JS5LK/DR

- 1) Type of counter:  
 JS - Junior Stroke
- 2) No. of figures: 5
- 3) Reset details:  
 LK - Left hand knob type reset  
 RK - Right hand knob type reset
- 4) Drive Shaft Rotation:  
 D - Top going (Backward Stroke)  
 Side of drive: L - Left R - Right  
 While ordering specify 3 & 4  
 C- Top coming forward stroke

**STD. KNOB WITH STD. LEVER**

**DC-1619**



4 MOUNTING HOLES Ø3.2

Product improvement is a continuous process at kaycee. The Data given in this publication is therefore subject to Revision.

**GENERAL TOLERANCES**

|                  |       |
|------------------|-------|
| Full Figure      | +1    |
| upto 1st Decimal | +0.5  |
| upto 2nd Decimal | +0.25 |



Manufactured by :

**KAYCEE INDUSTRIES LIMITED**

32, Ramjibhai Kamani Road, Ballard Estate, Mumbai - 400 001

Tel.: 91-22-22613521 / 22 / 23 / 22616106

Email : sales@kayceeindustries.com

Website : www.kayceeindustries.com



REVISED : JULY 2021