

Kaycee for Commitment...

Kaycee for Quality...



KAYCEE

Brand that set the standards

REVOLUTIONARY !

KAYCEE

REVOLUTION COUNTER

1 2 3 4 5



Kaycee Senior Revolution / Stroke Counters have die cast base and plastic cover for light weight, exceptional strength and rigidity. With the use of self-lubricating sintered bearings, stainless steel shafts, special thermo-plastic figure wheels and pinions, longer life, high speed and faster operations are achieved. Special quick-reset brings all figures back to zero with one short, angular movement. No maintenance is required.

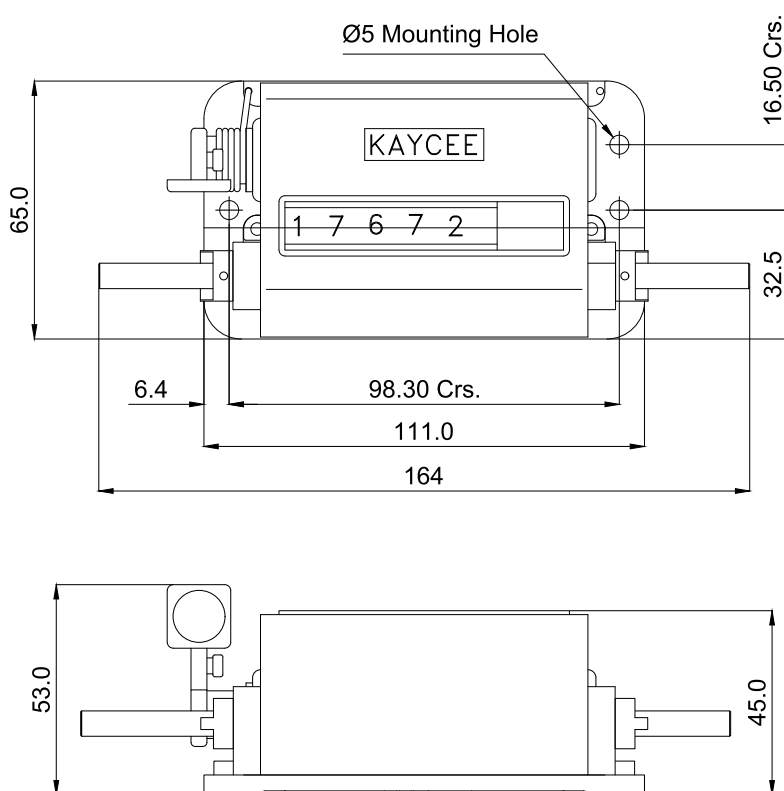
Counter	:	SR - Standard
Digits	:	5
Reset	:	Quick lever reset
Shaft diameter	:	6.35 mm
Method of counting	:	Adding in one direction and subtracting in reverse
Gearing Ratio	:	1:1 standard 1:2, 1:3, 5:1 & 10:1
Ambient Temperature	:	60°C

CE Approved

ALL REVOLUTION COUNTERS CAN BE SUPPLIED IN THESE EXECUTIONS



MEASURING MACHINE MM3



WHAT DOES OUR CODE SAY SR 5 LL/DR

- | | |
|-------------------------|---|
| 1 Type of Counter: | SR-Senior Revolution ST-Senior Stroke |
| 2 No. of Figures: | 5 |
| 3 Reset Details: | LL-Lefthand lever type reset
RL-Righthand lever type reset |
| 4 Drive Shaft Rotation: | C-Top coming D-Top going |
| 5 Side of Drive: | L-Left R-Right, B-Both sides |

While ordering specify 2, 3, 4 and 5

Product Improvement being a continuous process of KAYCEE the product supplied may differ from that illustrated and described in the literature.



Manufactured by :

KAYCEE INDUSTRIES LIMITED

32, Ramjibhai Kamani Road, Ballard Estate,
Mumbai - 400 001

Tel.: 91-22-22613521 / 22 / 23 / 22616106

Email : sales@kayceeindustries.com

Website : www.kayceeindustries.com

